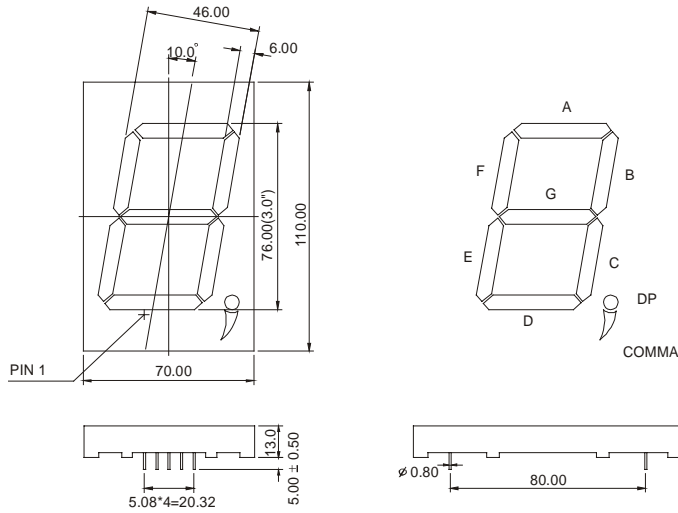
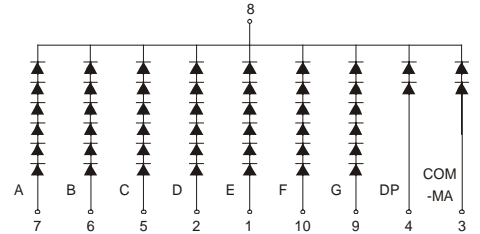


## GNS-30011Ax-Bx (SINGLE DIGIT LED DISPLAY)

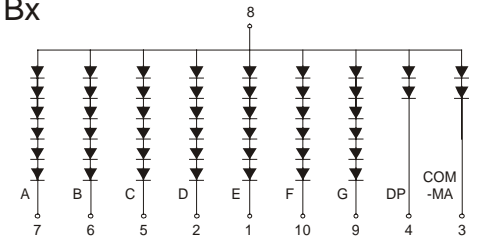
### GNS-30011 Series



### GNS-30011Ax



### GNS-30011Bx



### Features:

\*3.0 INCH HIGH CHARACTER.

\*EXCELLENT CHARACTER APPEARANCE.

\*COMMON CATHODE OR COMMON ANODE.

\*I.C. COMPATIBLE

\*LOW POWER CONSUMPTION.

Part Number	EMITTED COLOR		Common Cathode or Common Anode	Peak Wavelength (nm)	Vf (v) Typ	If (mA)	Intensity Per Segment (mcd)	
							Min.	Typ.
GNS-30011AE	GaAsP/GaP	Hi.effi Red	Common Cathode	635	2.0	20	54	72
GNS-30011AG	GaP	Green		565	2.1	20	48	66
GNS-30011AY	GaAsP/GaP	Yellow		585	2.0	20	54	72
GNS-30011AS	GaAlAs	Super Red		660	1.8	20	60	78
GNS-30011AD	GaAlAs	Ultrs Red		660	1.8	20	150	180
GNS-30011AUE	AlGaN	Ultra Red		625	2.0	20	180	210
GNS-30011AUY	AlGaN	Ultra Yellow		590	2.0	20	180	210
GNS-30011BE	GaAsP/GaP	Hi.effi Red	Common Anode	635	2.0	20	54	72
GNS-30011BG	Gap	Green		565	2.1	20	48	66
GNS-30011BY	GaAsP/GaP	Yellow		585	2.0	20	54	72
GNS-30011BS	GaAlAs	Super Red		660	1.8	20	60	78
GNS-30011BD	GaAlAs	Ultrs Red		660	1.8	20	150	180
GNS-30011BUE	AlGaN	Ultra Red		625	2.0	20	180	210
GNS-30011BUY	AlGaN	Ultra Yellow		590	2.0	20	180	210