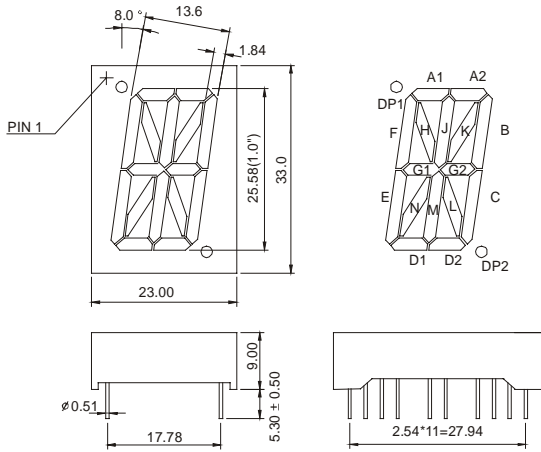
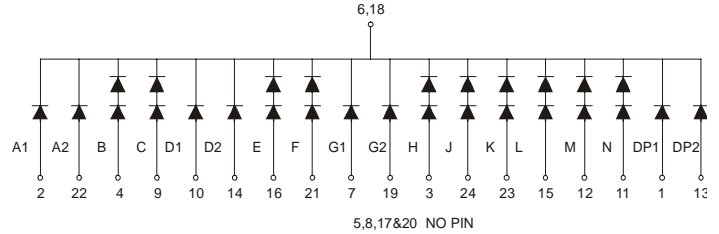


GNS-10013Ax-Bx (SINGLE DIGIT LED DISPLAY)

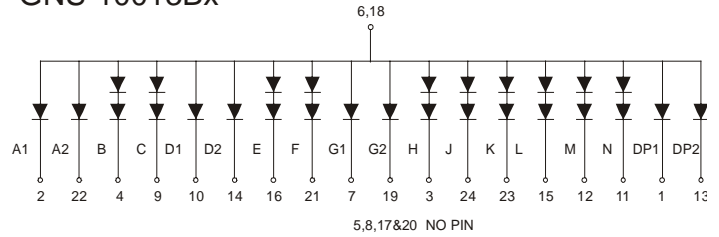
GNS-10013 Series



GNS-10013Ax



GNS-10013Bx



Features:

*1.0 INCH HIGH CHARACTER.

*EXCELLENT CHARACTER APPEARANCE.

*COMMON CATHODE OR COMMON ANODE.

*I.C. COMPATIBLE

*LOW POWER CONSUMPTION.

Part Number	EMITTED COLOR		Common Cathode or Common Anode	Peak Wavelength (nm)	Vf (v) Typ	If (mA)	Intensity Per Segment (mcd)	
							Min.	Typ.
GNS-10013AE	GaAsP/GaP	Hi.effi Red	Common Cathode	635	2.0	20	18	24
GNS-10013AG	GaP	Green		565	2.1	20	16	22
GNS-10013AY	GaAsP/GaP	Yellow		585	2.0	20	18	24
GNS-10013AS	GaAlAs	Super Red		660	1.8	20	20	26
GNS-10013AD	GaAlAs	Ultras Red		660	1.8	20	50	60
GNS-10013AUE	AlGaN	Ultra Red		625	2.0	20	60	70
GNS-10013AU	AlGaN	Ultra Yellow		590	2.0	20	60	70
GNS-10013BE	GaAsP/GaP	Hi.effi Red		Common Anode	635	2.0	20	18
GNS-10013BG	Gap	Green	565		2.1	20	16	22
GNS-10013BY	GaAsP/GaP	Yellow	585		2.0	20	18	24
GNS-10013BS	GaAlAs	Super Red	660		1.8	20	20	26
GNS-10013BD	GaAlAs	Ultras Red	660		1.8	20	50	60
GNS-10013BUE	AlGaN	Ultra Red	625		2.0	20	60	70
GNS-10013BU	AlGaN	Ultra Yellow	590		2.0	20	60	70